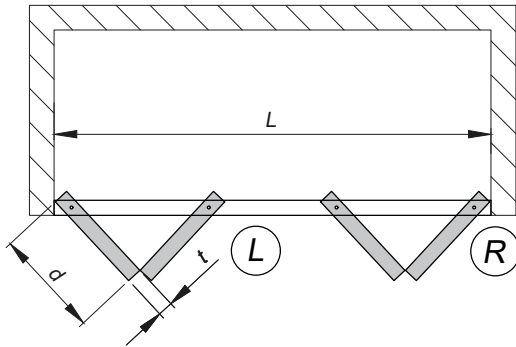


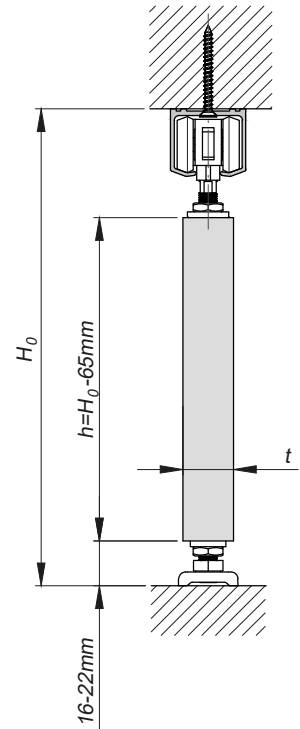
$$d = \frac{L - x - 5}{2}$$

L = 1200, 1500, 1800, 2000, 2400mm

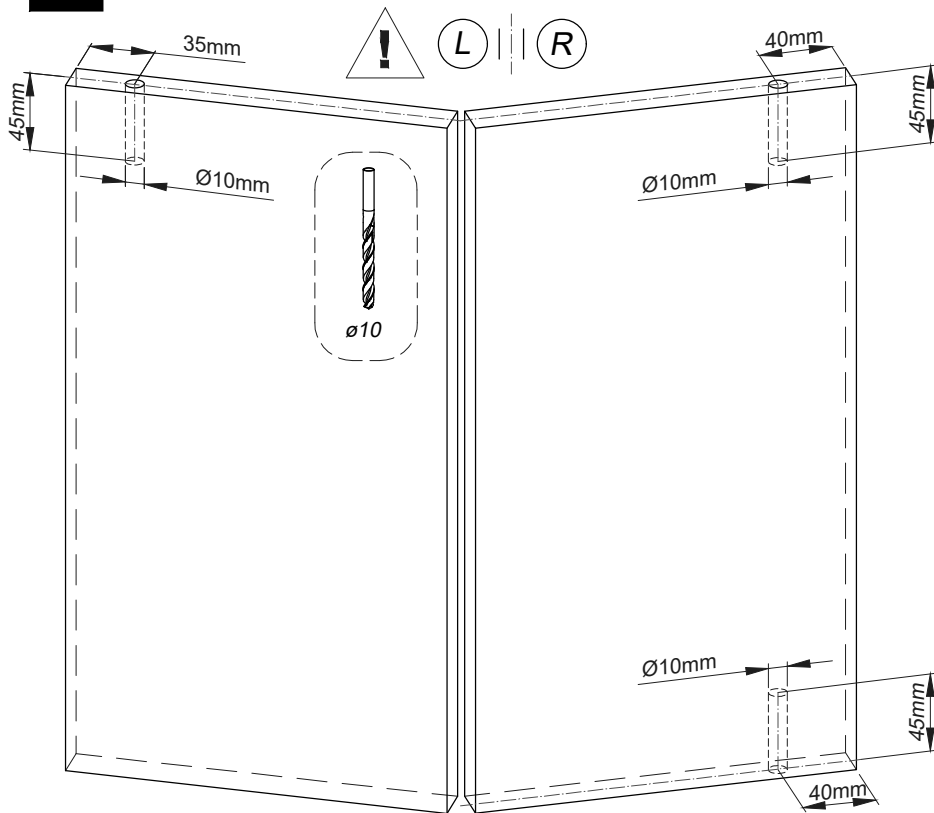
t [mm]	<22	22	25	28	32	40
x [mm]	0	3	4	4	6	6



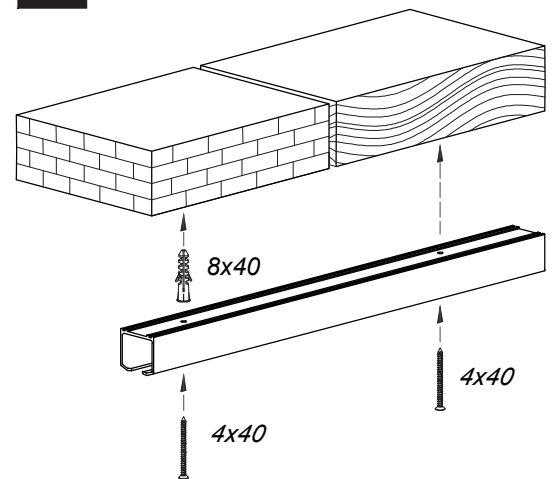
$$d = \frac{L - 2x - 8}{4}$$



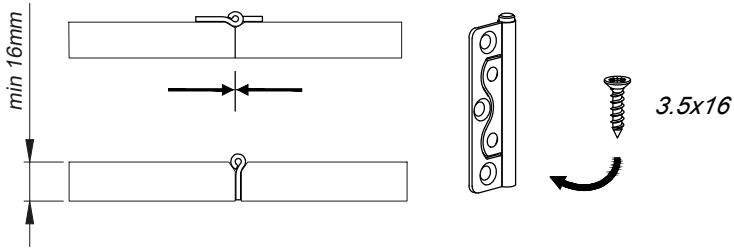
**1**



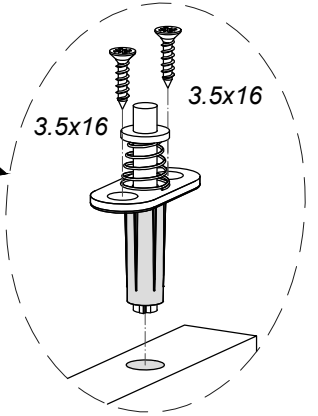
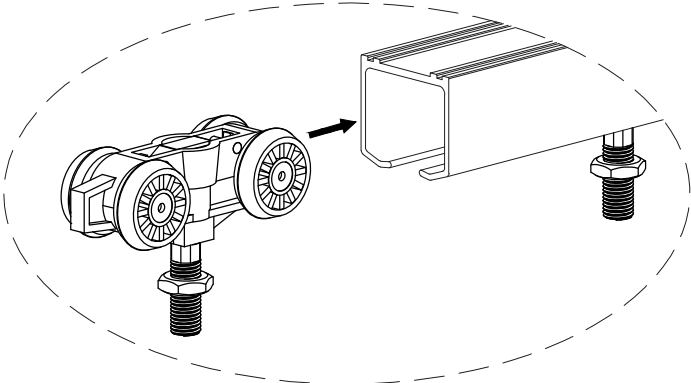
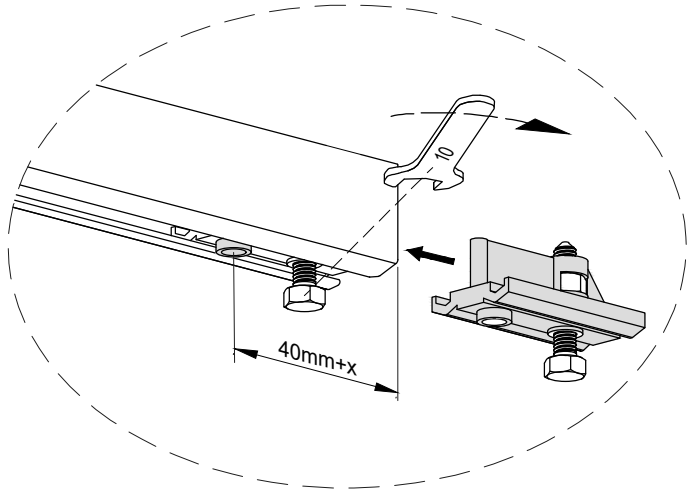
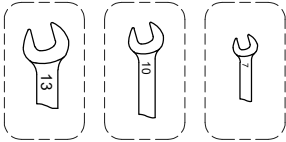
**2**



**3**



**4**



**R**

